

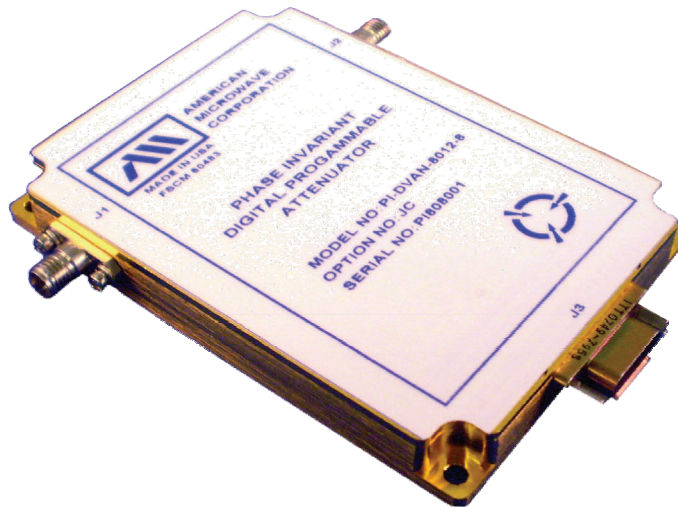


**AMERICAN MICROWAVE
CORPORATION**

PHASE INVARIANT DIGITAL PROGRAMMABLE ATTENUATOR

8 TO 12 GHz

MODEL: PI-DVAN-8012 OPTION: JC



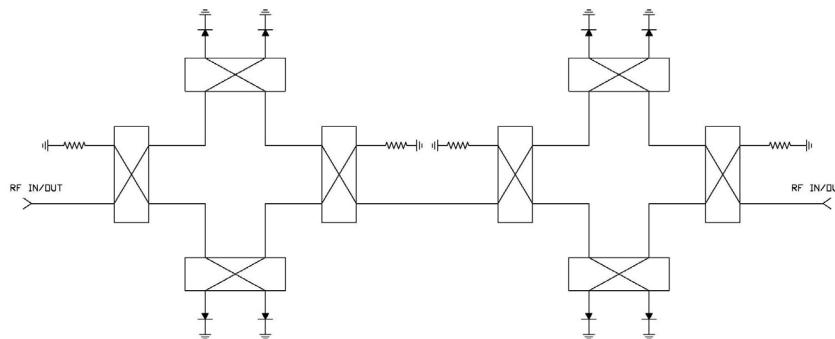
FEATURES

- Excellent Temperature Stability
- High Speed
- Over 40 dB Dynamic Range
- 0.1 dB Digital Resolution
- Uses the latest in digital technology

DESCRIPTION

The Phase Invariant Digital Programmable Attenuator offers essentially constant phase, adjustable attenuation over 40 dB in the 8 to 12 GHz range. The attenuator utilizes a unique double balanced arrangement of diodes and quadrature couplers to achieve the phase independent attenuation characteristics usable over 6 to 18 GHz.

FUNCTIONAL BLOCK DIAGRAM

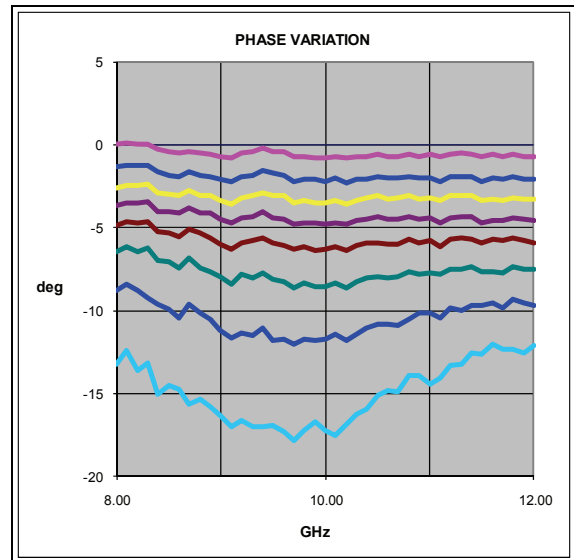
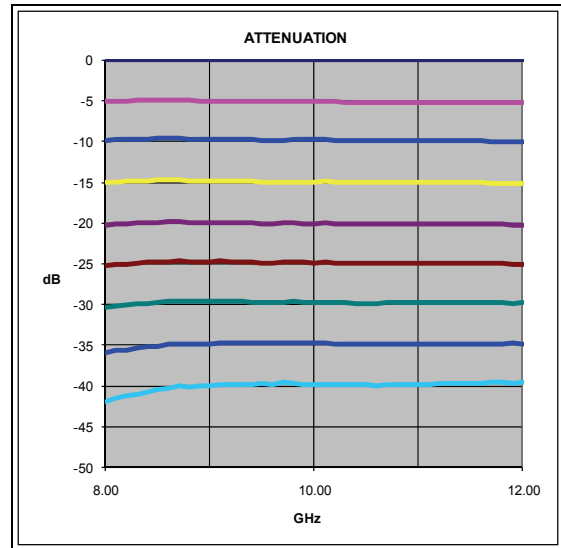


7311G GROVE ROAD, FREDERICK, MARYLAND 21704 * Tel: 301.662.4700 * Fax: 301.662.4938
Email: sales@americanmicrowavecorp.com * Web: www.americanmicrowavecorp.com
ISO9001 : 2000 CERTIFIED

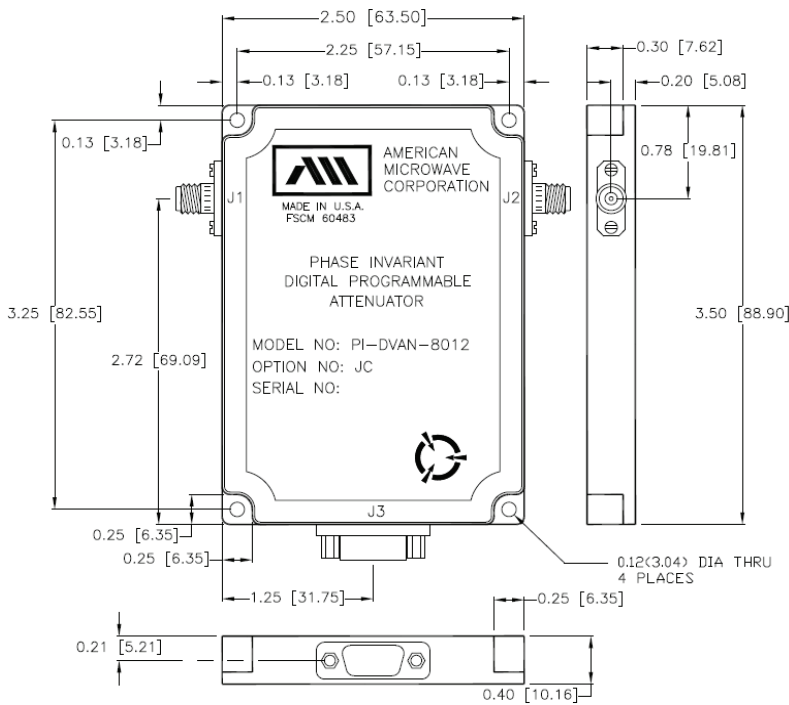
GUARANTEED SPECIFICATIONS

PARAMETER	SPECIFICATIONS
• Attenuation Range	40 dB
• Insertion Loss	6.5 dB
• Return Loss	-12 dB (1.8:1)
• Attenuation Accuracy	±0.5 dB
• Flatness	±0.8 dB from 0 to 20 dB and ±1.0 dB from 20 to 40 dB
• Phase Deviation	0 to 20 dB 7°, max. 20 to 40 dB 20°, max.
• Control	9 Bit, 0.1 dB Step
• Switching Speed	200 nSec
• Power Supply	+7vdc to +12VDC @ 300 mA max
• Size	2.5" (L) x 3.5" (W) x 0.4" (H)

TYPICAL PERFORMANCE



MECHANICAL DATA



DIMENSIONS ARE IN INCHES (MM)

PIN No	FUNCTION
1	B0
2	B1
3	B2
4	B3
5	B4
6	B5
7	B6
8	B7
9	B8
10	Reserved for options
11	Reserved for options
12	Reserved for options
13	CLOCK
14	+V DC
15	GND

7311G GROVE ROAD, FREDERICK, MARYLAND 21704 * Tel: 301.662.4700 * Fax: 301.662.4938
 Email: sales@americanmicrowavecorp.com * Web: www.americanmicrowavecorp.com
 ISO9001 : 2000 CERTIFIED